

 **cybex**  
GOLD

**GAZELLE S**







**WARNING**



**TUTORIAL VIDEO**





 = 6

**Configurations**



 = 19

**Shopping basket**



 = 9

**Maximum weights**



 = 24

**Brake**



 = 10

**Product registration**



 = 25

**Folding**



 = 12

**Set up**



 = 29

**Harness**



 = 16

**Adjusting seat adapter**



 = 32

**Bumper bar**



 = 33

**Seat direction**



 = 38

**Swivel locks**



 = 34

**Backrest**



 = 39

**Removing the wheels**



 = 35

**Legrest**



 = 40

**Removing the fabric**



 = 36

**Sun canopy**



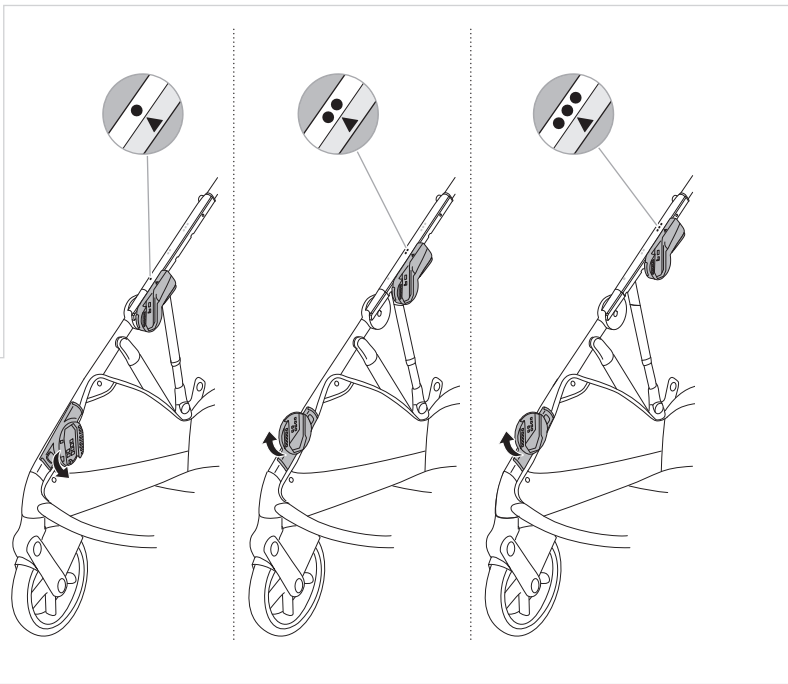
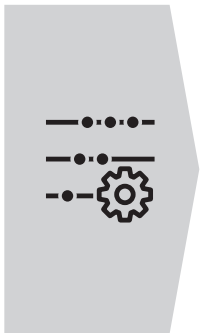
 = 55

**Rain cover**



 = 37

**Handle bar**



6

1



max. 9 kg

max. 10 kg

max. 13 kg

max. 15 kg

max. 22 kg



max. 9 kg

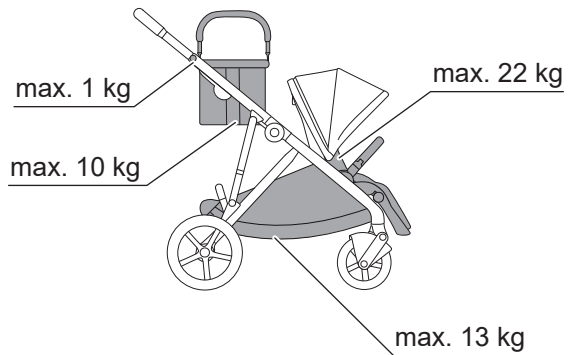
max. 10 kg

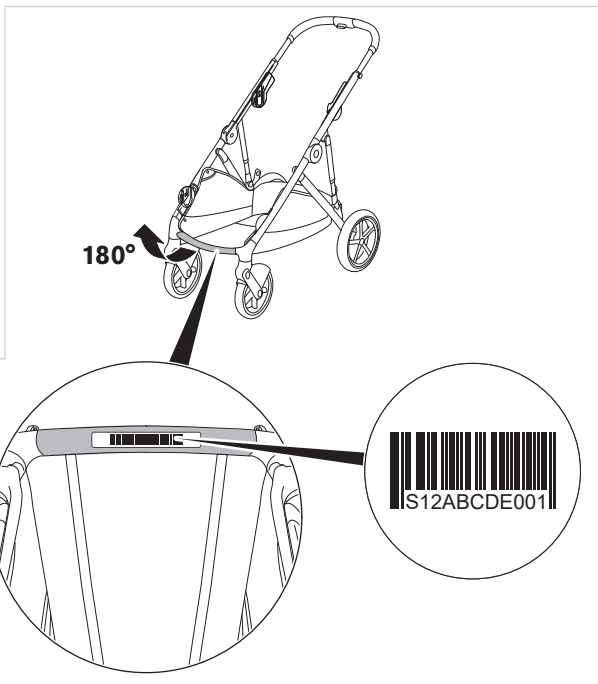
max. 13 kg

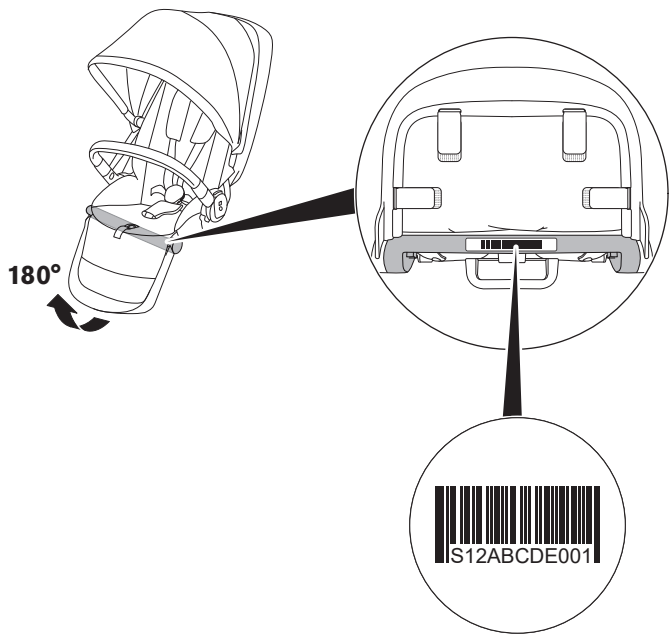
max. 15 kg

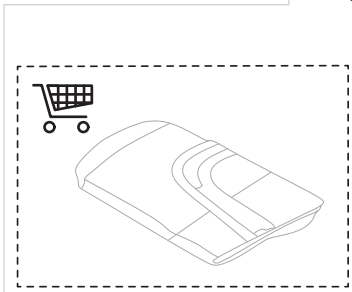
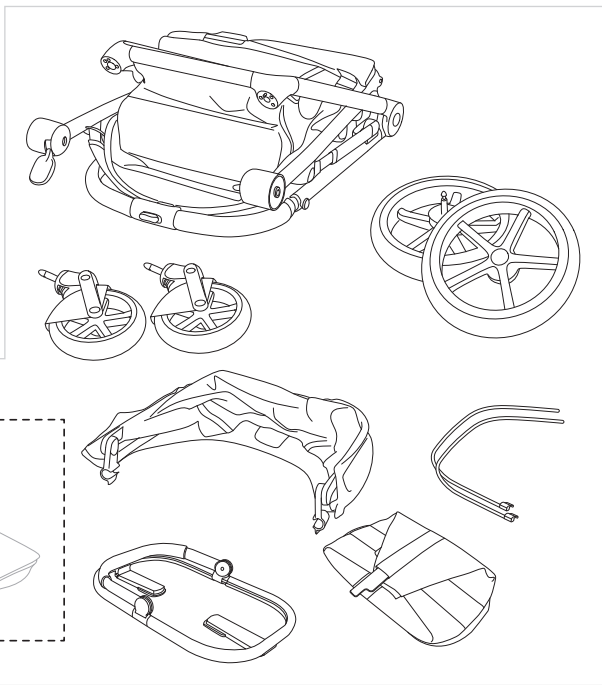
max. 22 kg

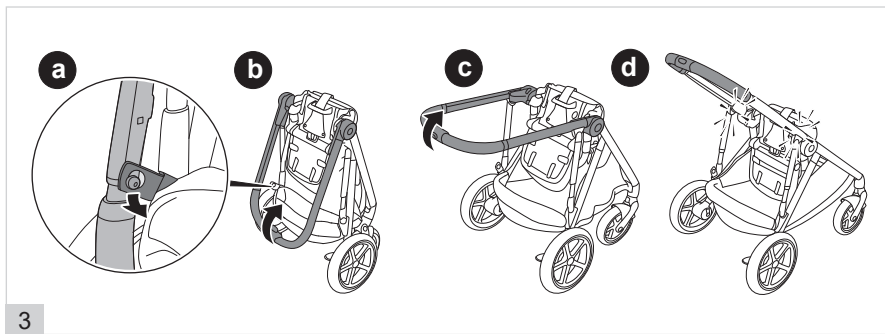
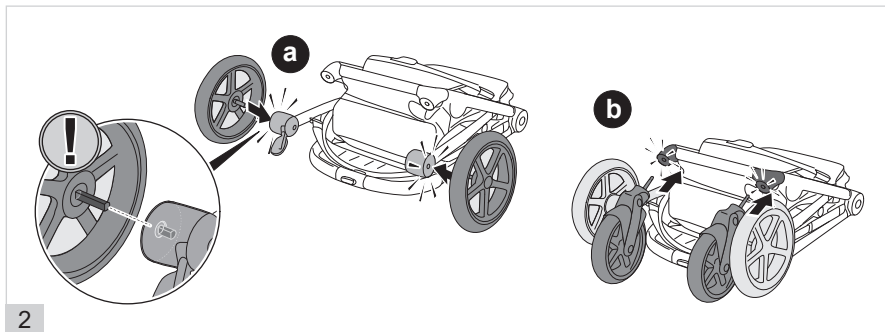






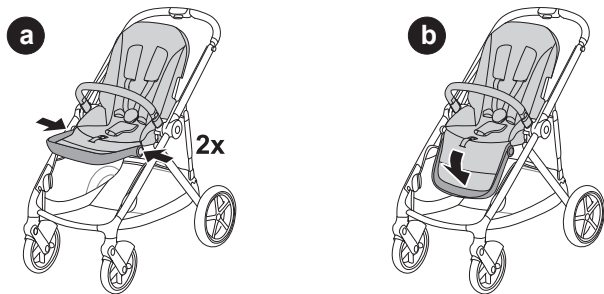




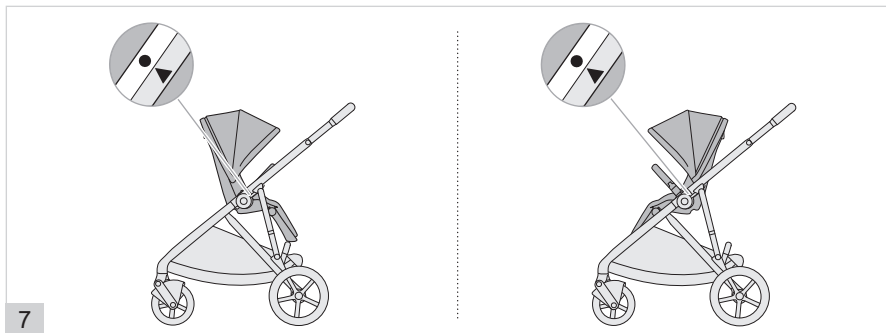
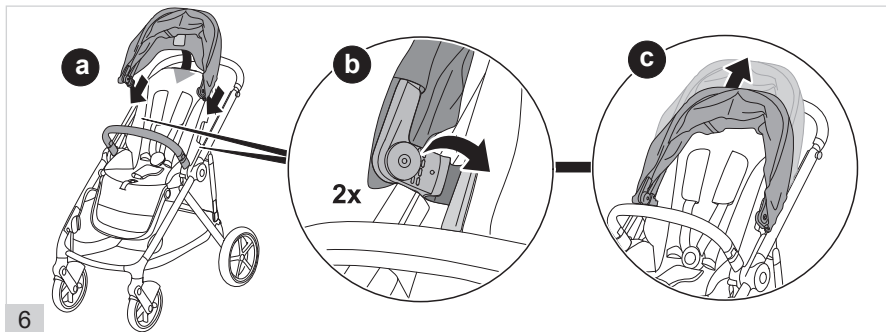


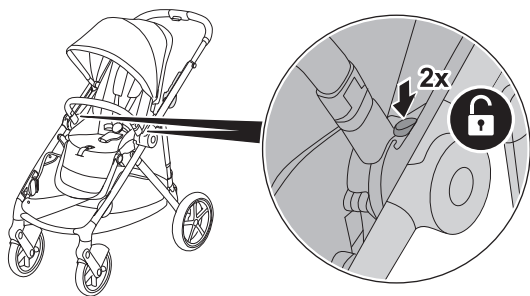
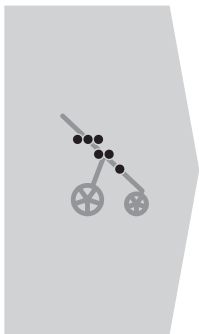


4

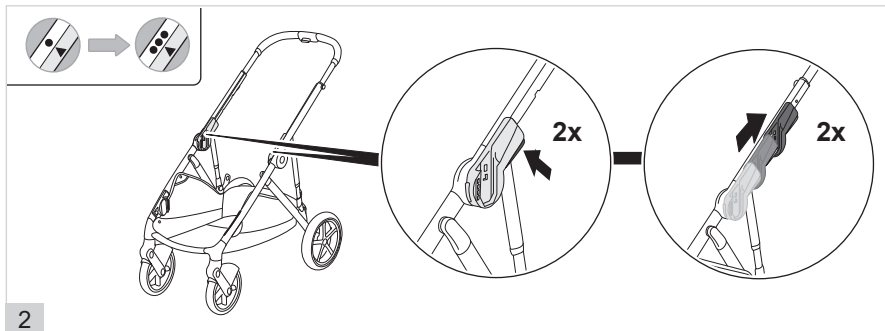


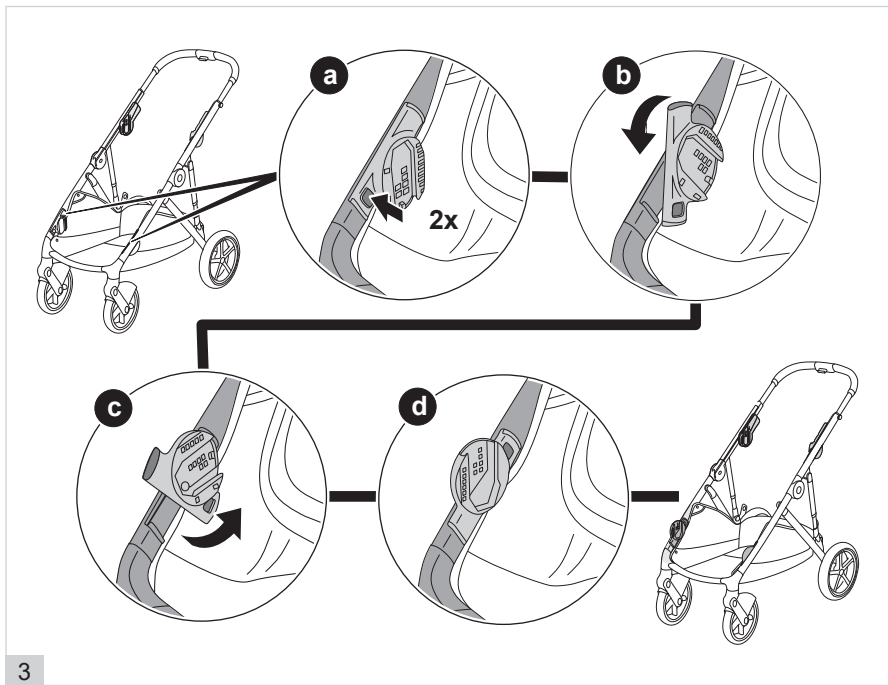
5

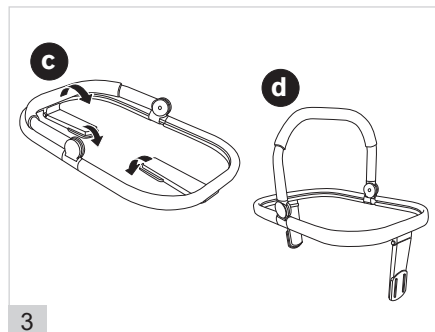
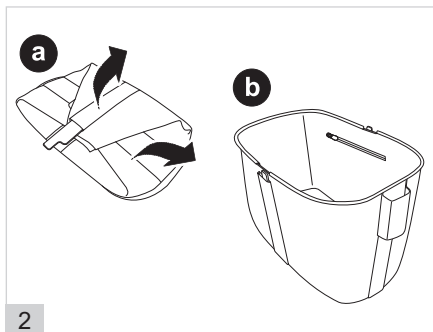
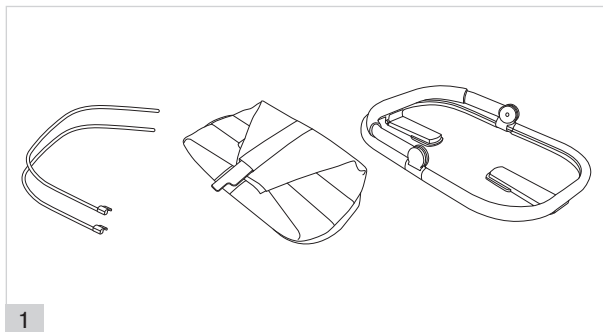


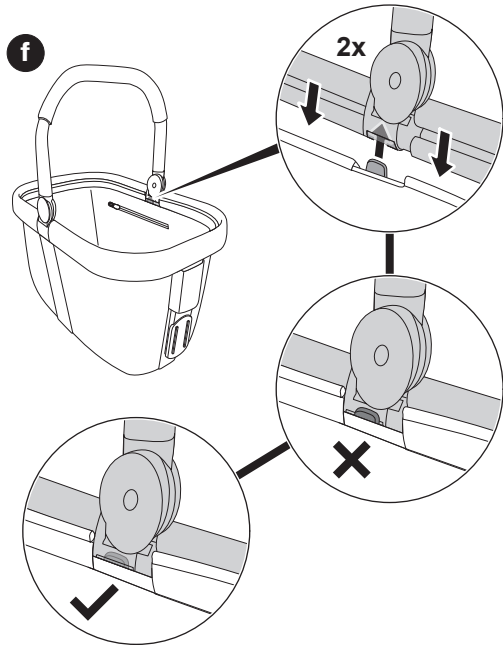
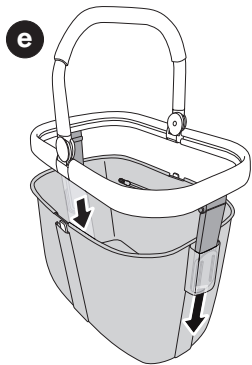


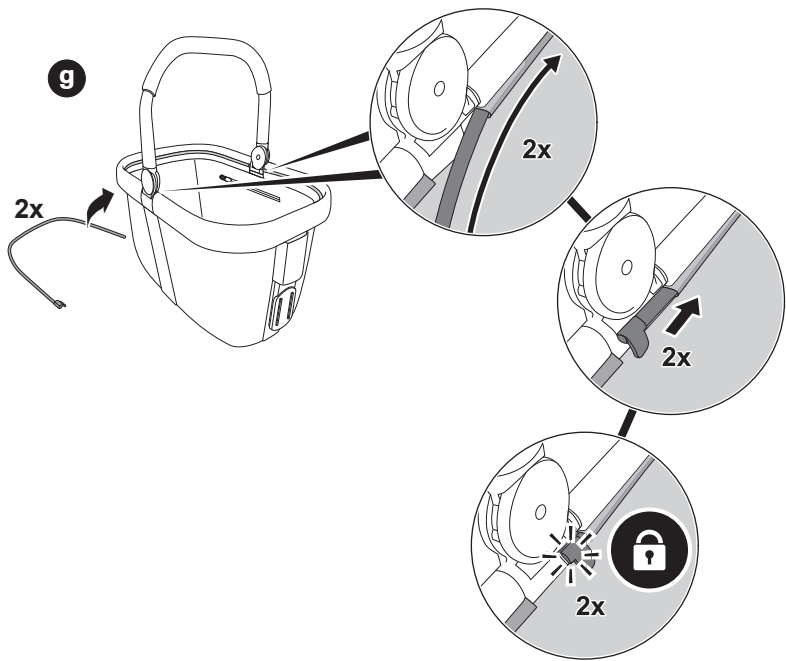


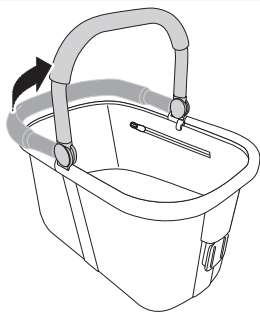




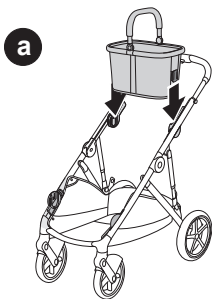




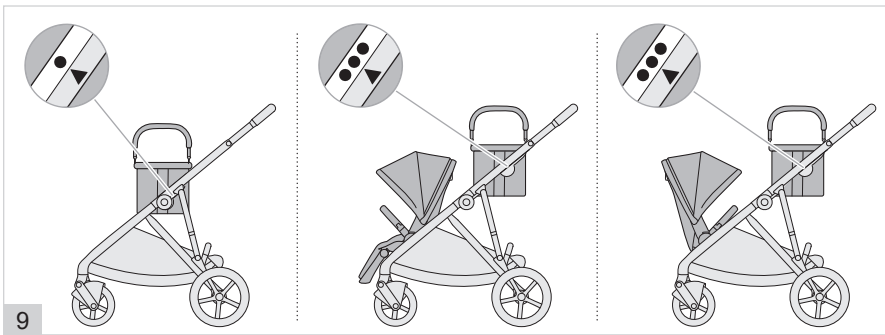


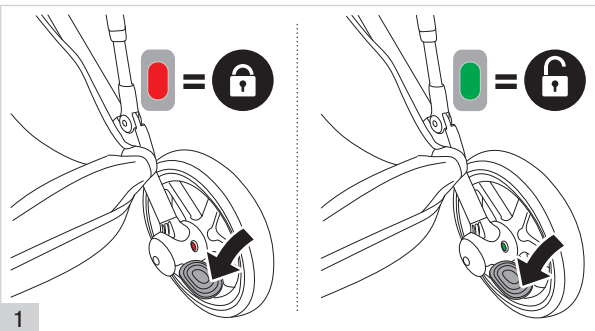


6

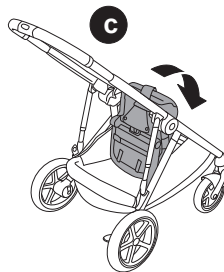
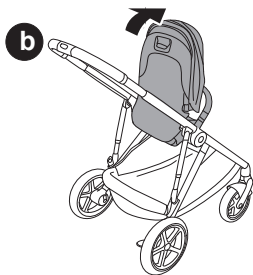
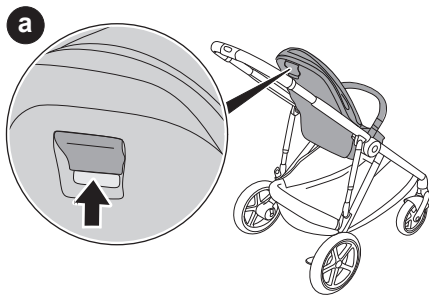


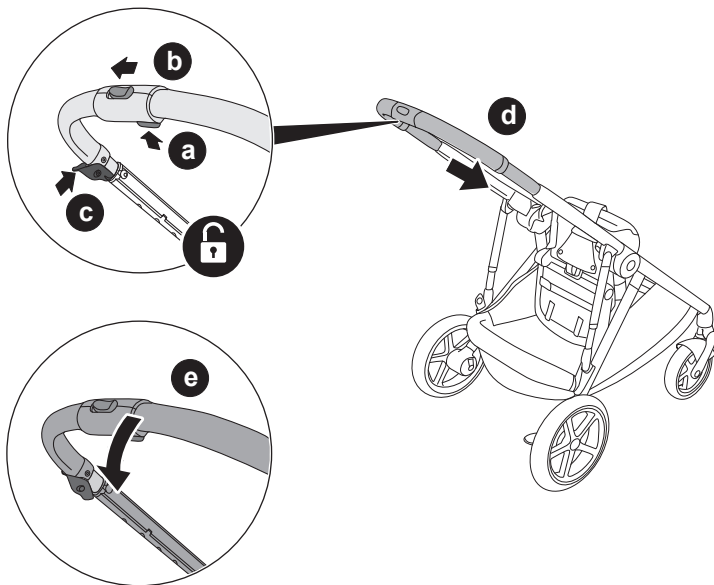
7

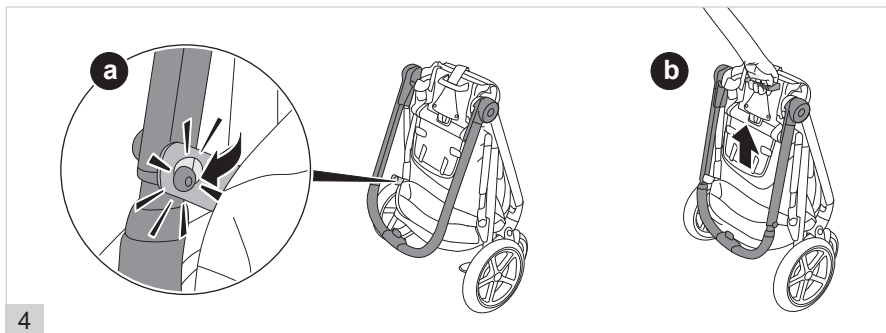
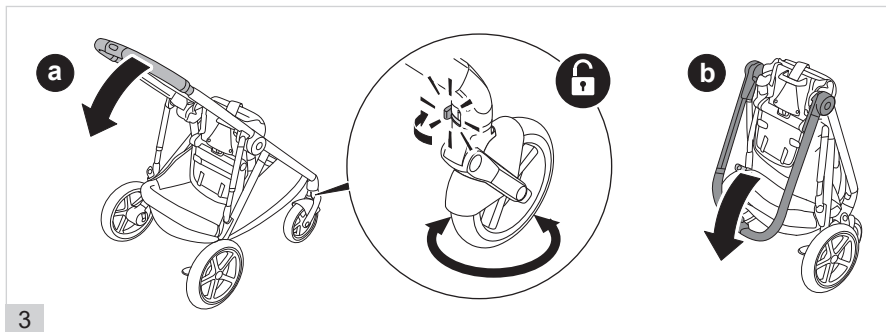


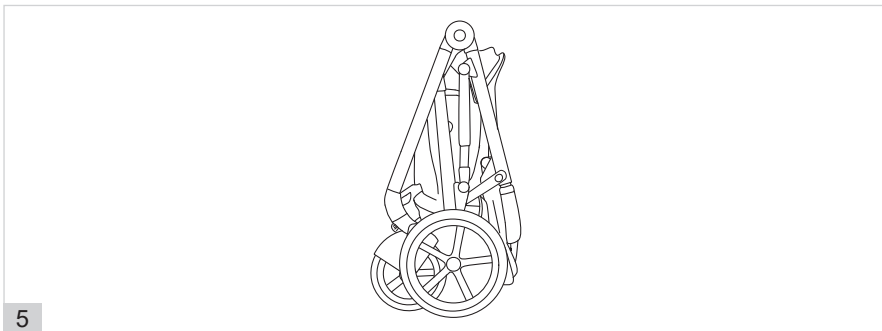




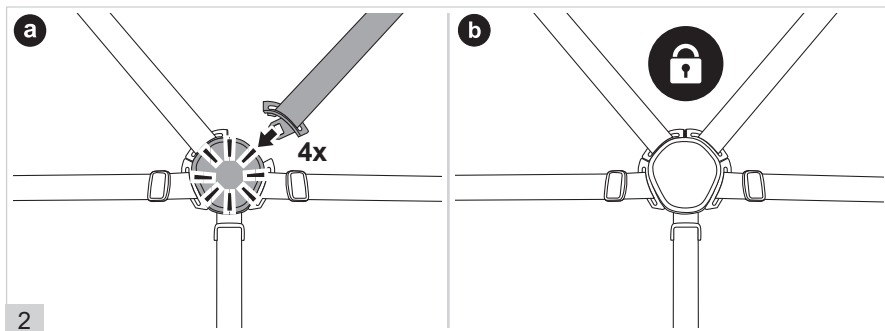
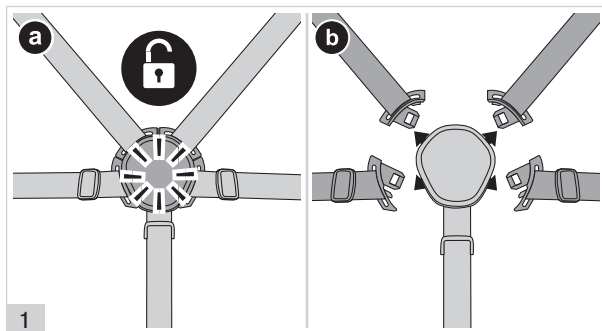


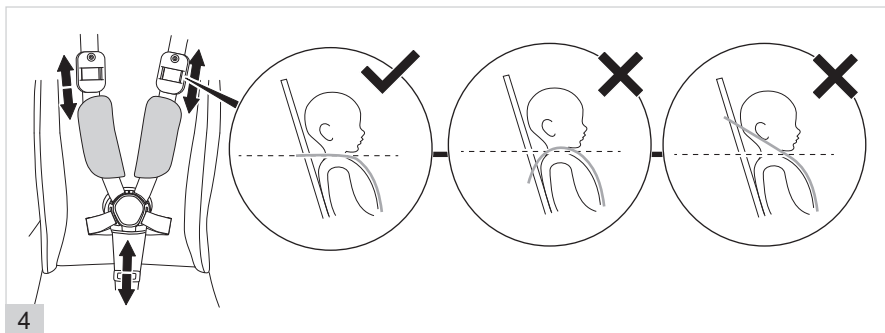
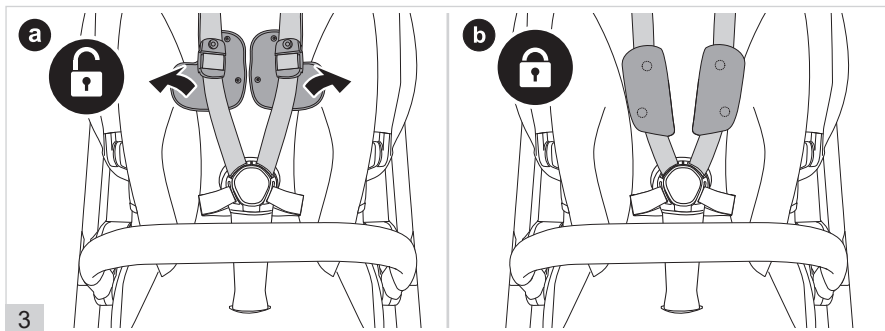


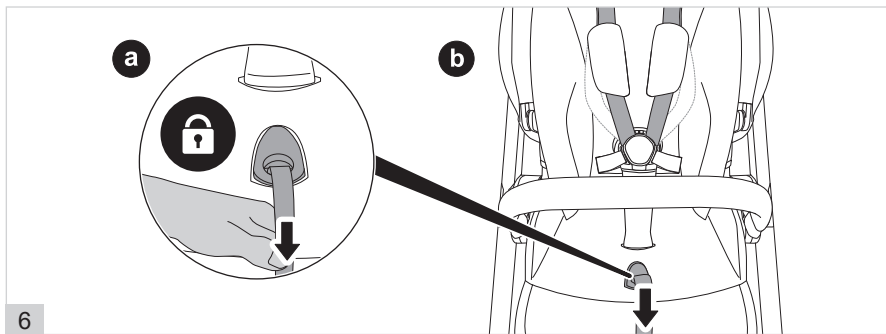
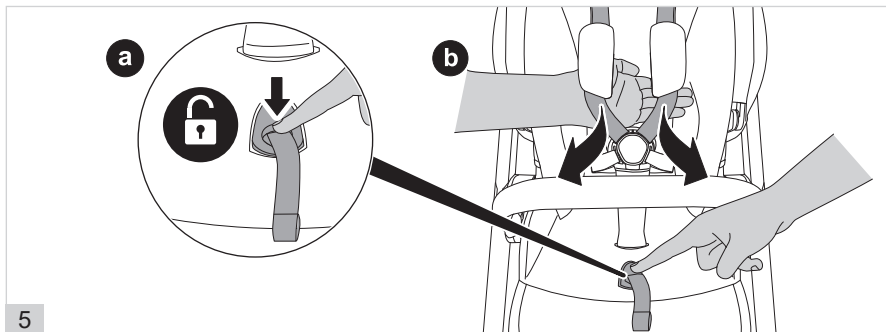


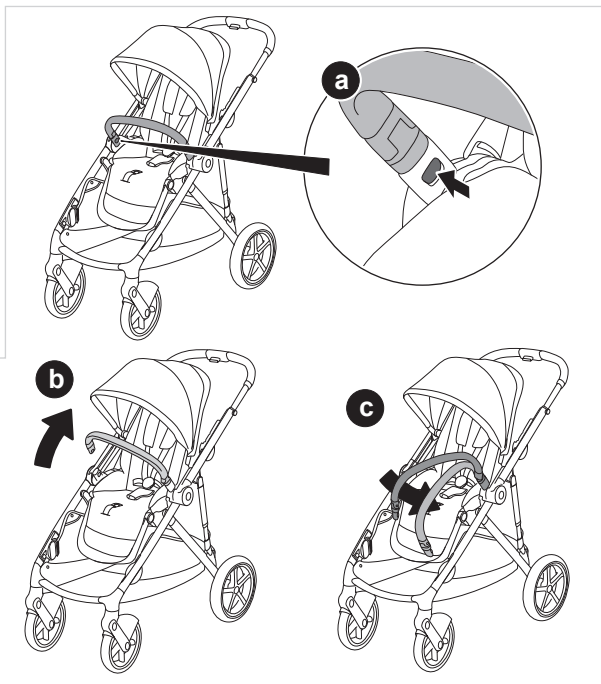
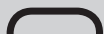


5

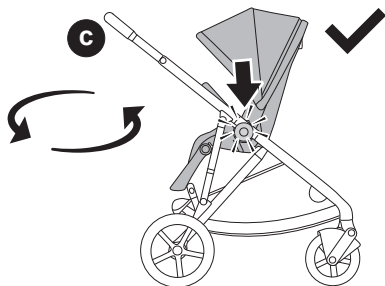
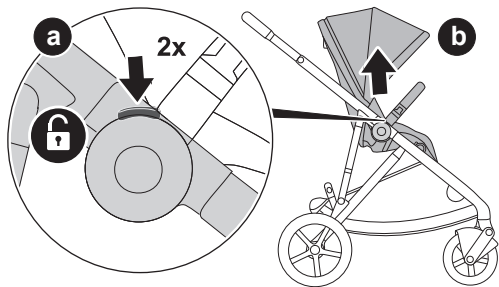


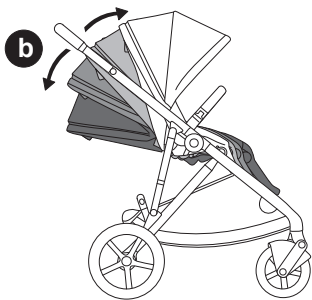
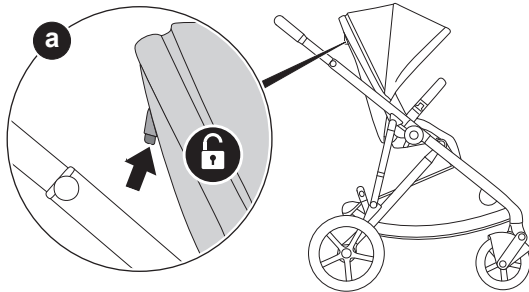


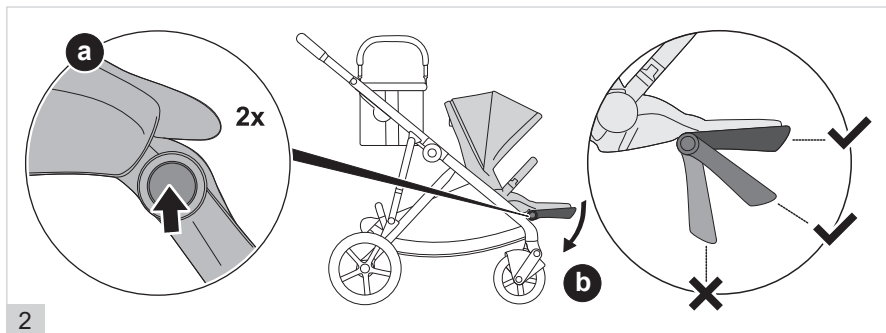
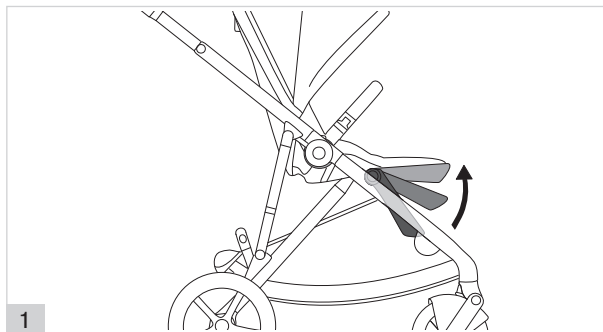


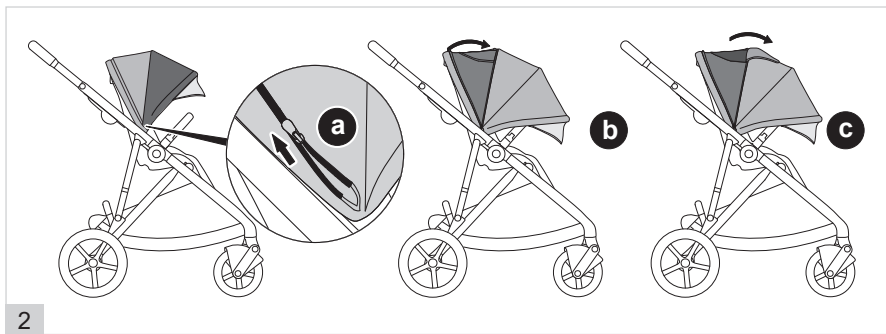
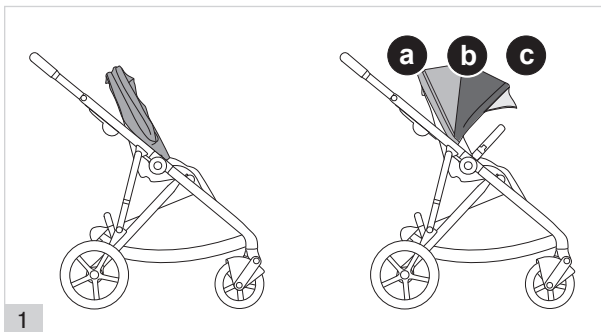






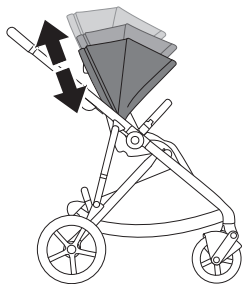




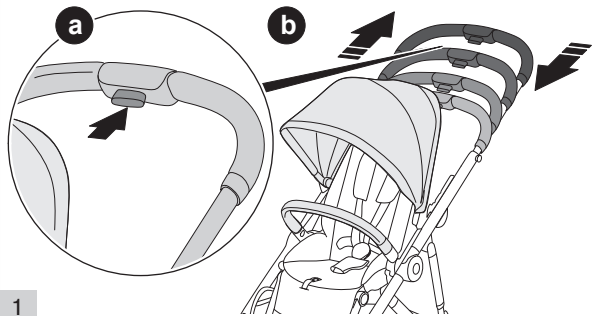




3



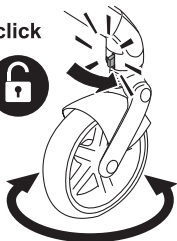
1



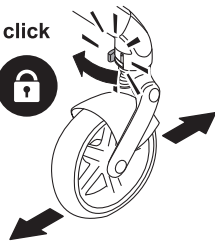
37



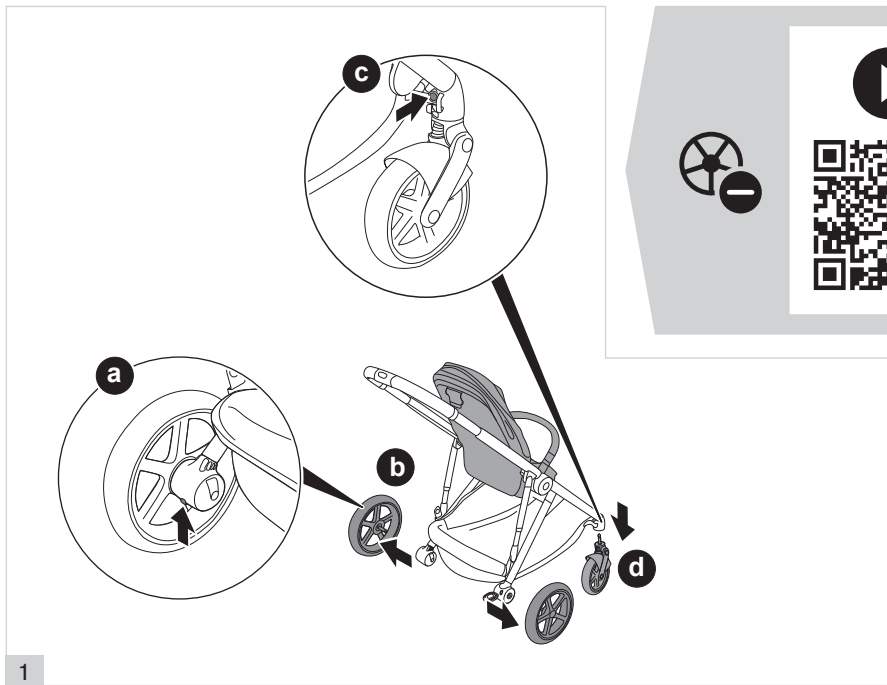
click

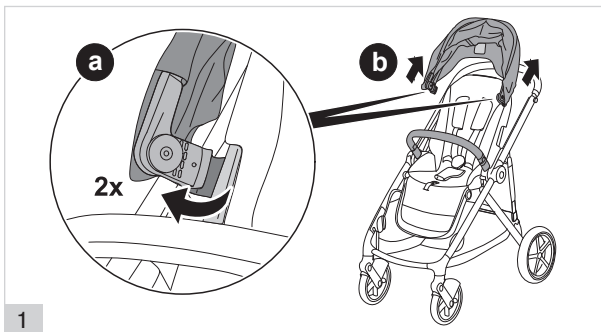


click

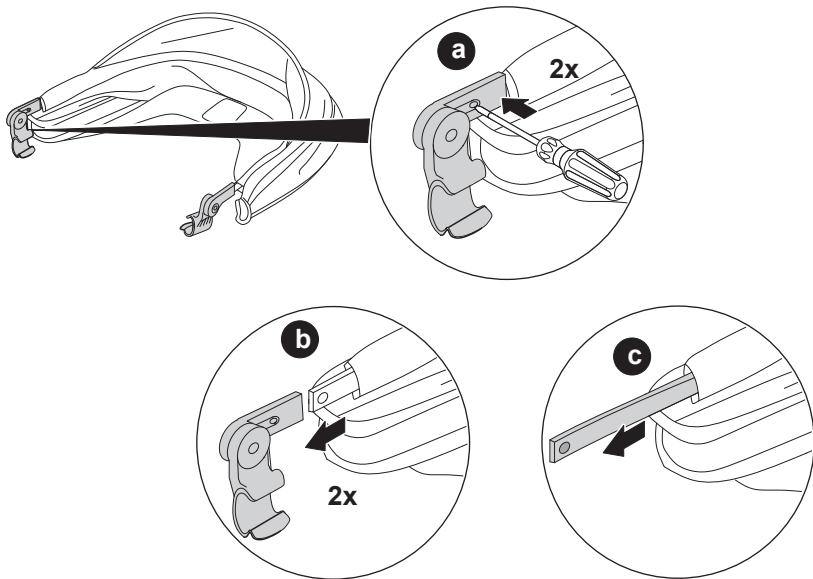


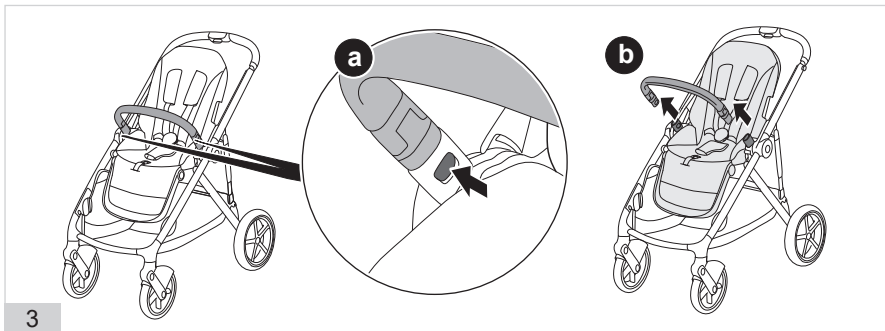
1

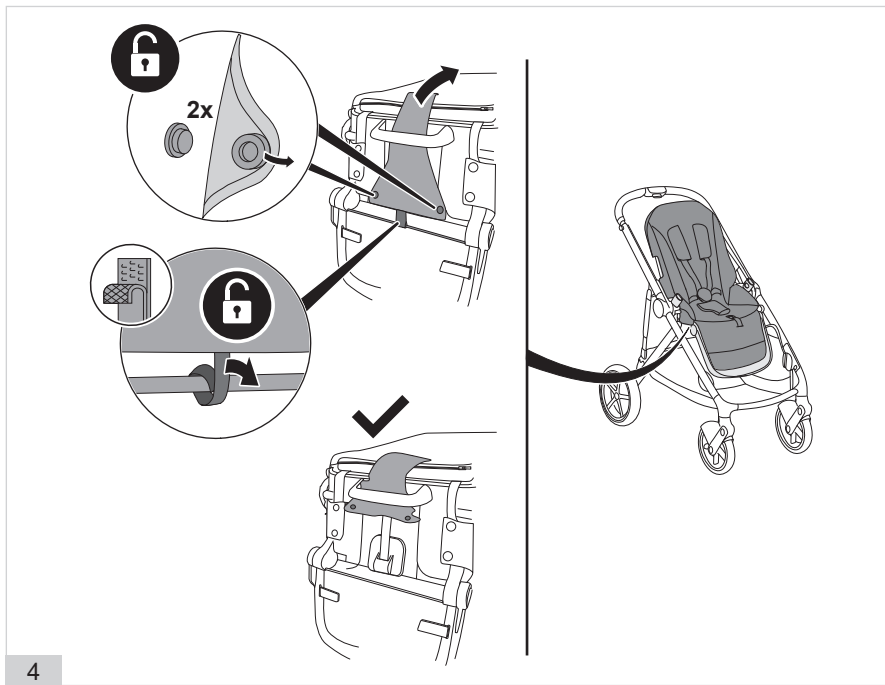


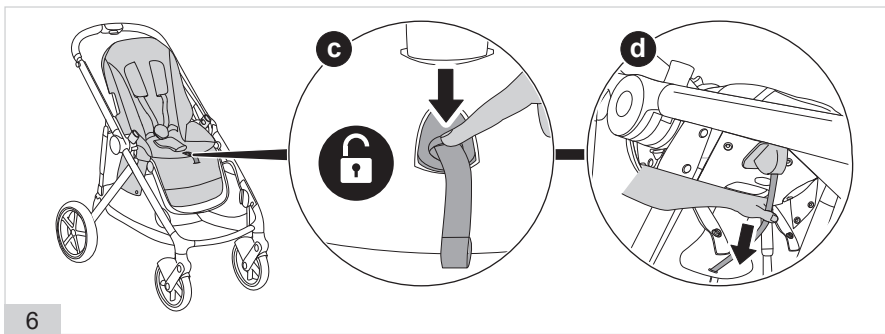
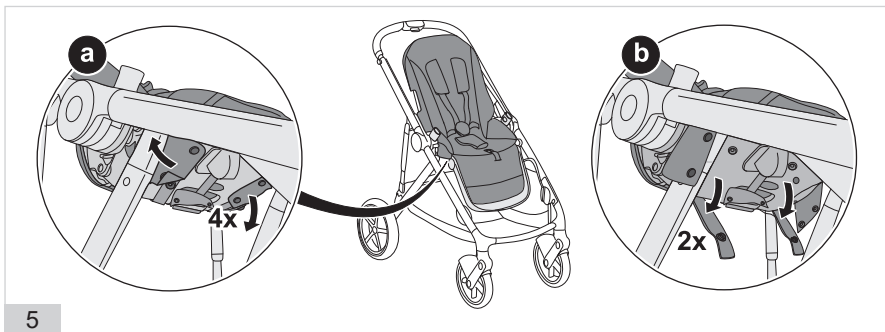




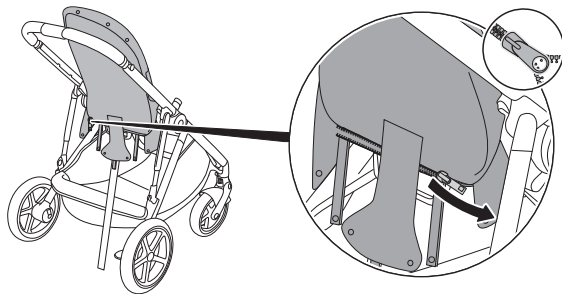






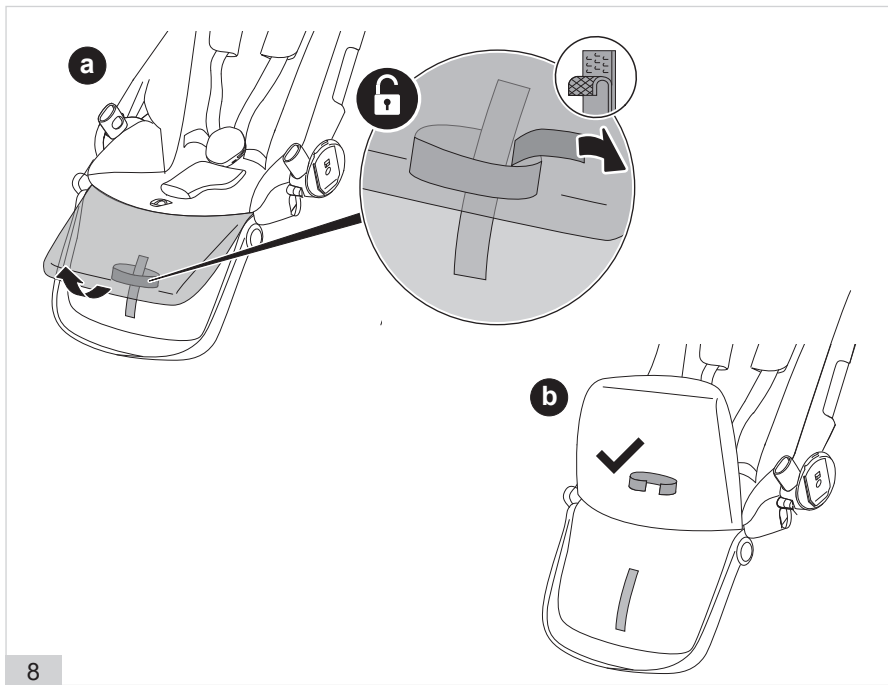


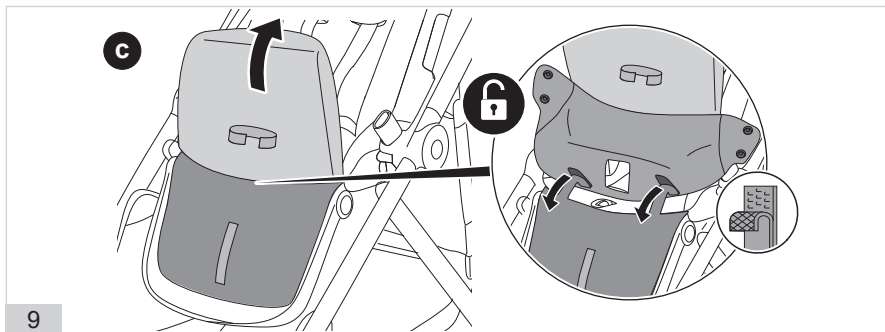
e

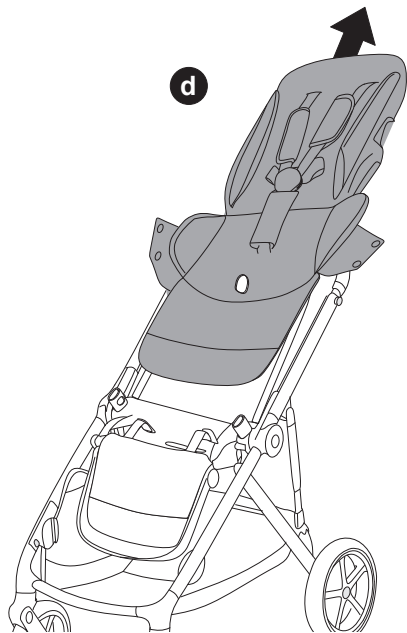


7

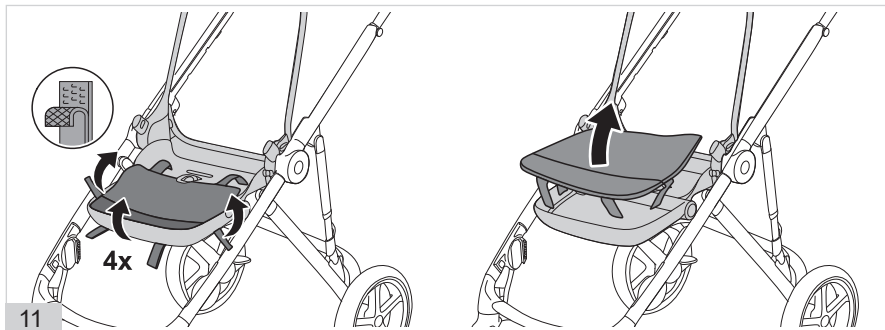


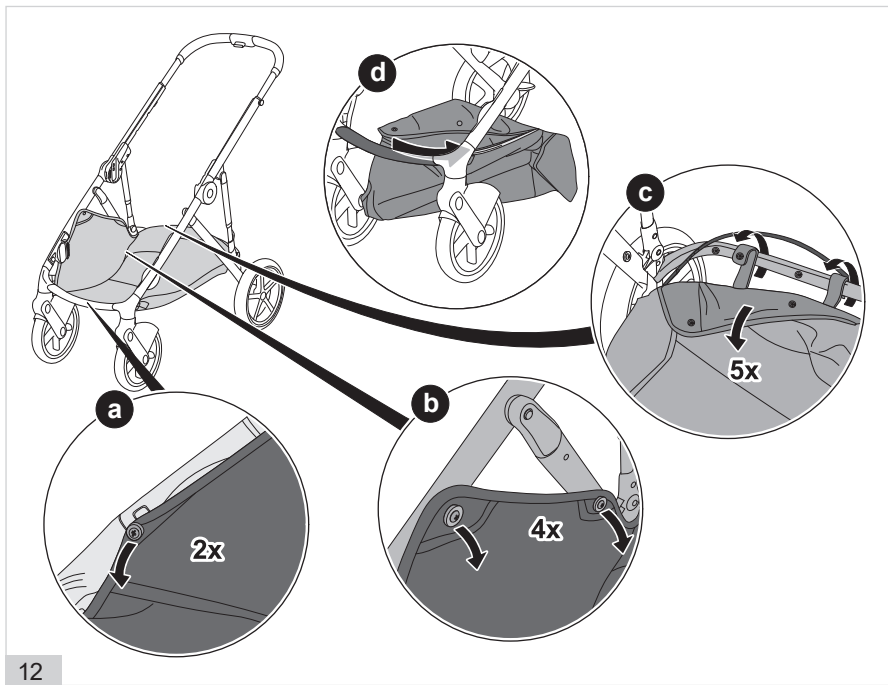


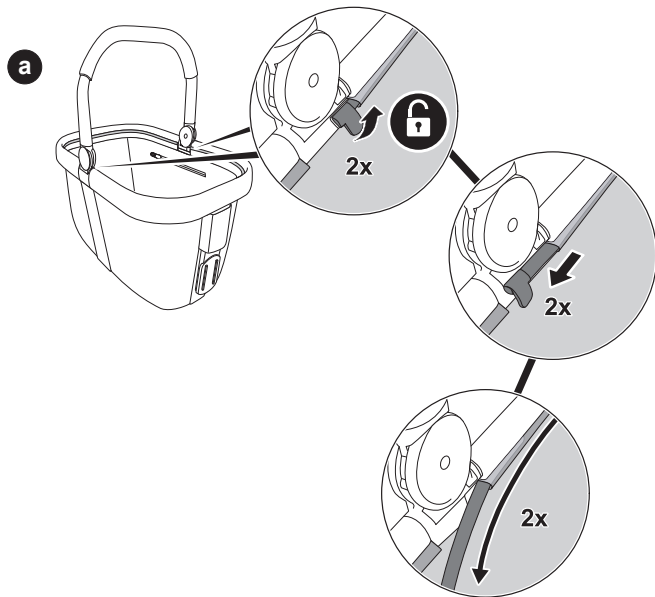






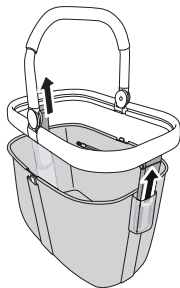






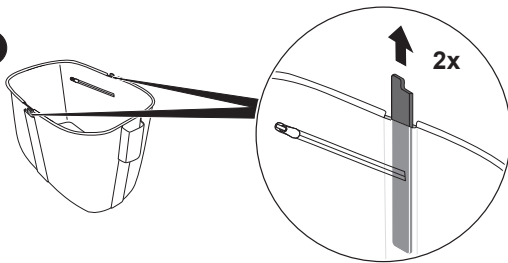


**b**



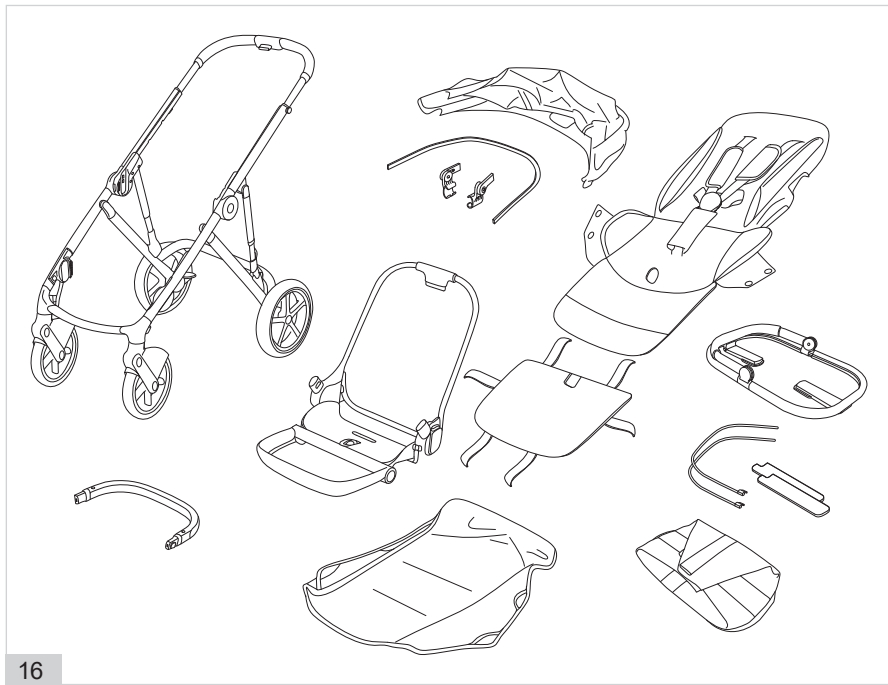
14

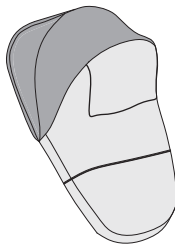
**c**



52

15

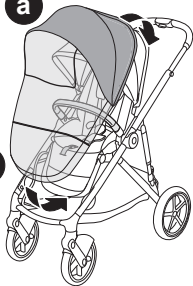




1

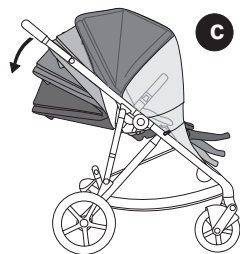
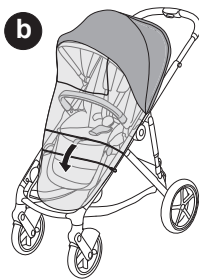
a

b

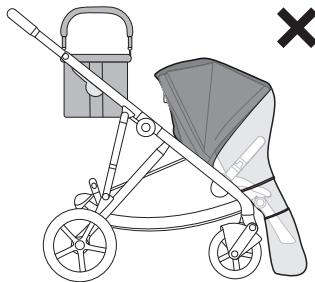
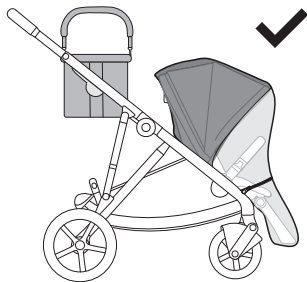


c





3



4



**Distributed in Australia by:**

Anstel Brands Pty Ltd, Sunline  
Drive 36  
3029 Truganina, Victoria  
Australia  
Phone: +03 8459 2750

**Distributed in New Zealand by:**

SignActive Limited, Level 1  
2 Eden Street  
1023 Auckland  
New Zealand  
Phone: +64 9 373 2525

